

CP / CP-G / DCP / DCP-G

ELECTRIC IN-LINE PUMPS



TECHNICAL DATA

Operating range: from 3,6 to 420 m³/h with head of up to 102 metres.

Pumped liquid: clean, free of solids and abrasives, non-viscous, non-aggressive, non-crystallised and chemically neutral, with properties similar to water. Maximum glycol content 30 % (for other glycol percentages contact Technical Support).

Liquid temperature range:
from -10 °C to +130 °C for DN 40 - DN 50.
from -10 °C to +140 °C for the remainder of the range.

Maximum ambient temperature: +40 °C.

Maximum operating pressure:

PN10 : for DN 40 - DN 50.

PN16 : Remainder of the range.

Flanging: PN 16.

Special executions on request: Other voltages and/or frequencies.

Protection: IP 55.

Insulation: class F

APPLICATIONS

In-line port circulation pumps, suitable for heating, air conditioning, refrigeration and sanitary water systems. Available in the single and twin versions.

CONSTRUCTION FEATURES

PN 10 - PN 16 flanged suction and delivery ports with threaded holes for control manometers.

Cast iron pump body and motor support, cast iron or technopolymer impeller depending on mode.

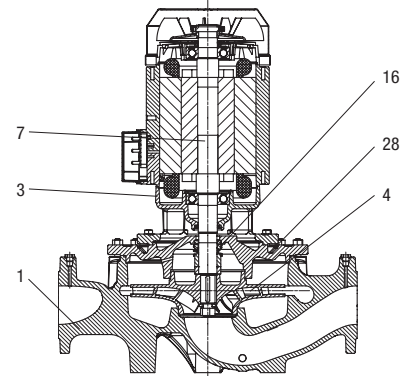
Stainless steel motor shaft.

External ventilation three-phase asynchronous motor. For its protection we recommend the use of remote overload cut-outs, in compliance with current local regulations.

MATERIALS

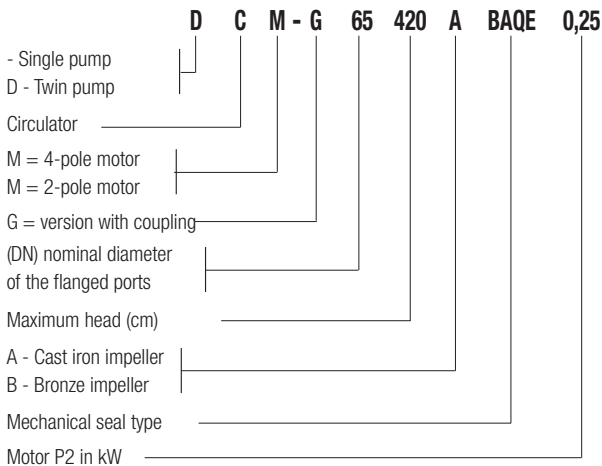
N.	PARTS*	MATERIALS
1	PUMP BODY	CAST IRON 250 UNI ISO 185
3	SUPPORT	CAST IRON 250 UNI ISO 185
4	IMPELLER	CAST IRON FOR DN 65-80-100-125-150 / DCP Dn 40 - 50 / CP 40-3800T, CP 40-4700T, CP 40-5500T, CP 40-6200T, CP 50-4600T, CP 50-5100T, CP 50-5650T TECHNOPOLYMER B FOR CP 40-1900T, CP 40-2300T, CP 40-2700T, CP 40-3500T, CP 50-2200T, CP 50-2600T, CP 50-3100T, CP 50/4100T
7	SHAFT WITH ROTOR	AISI 304 STAINLESS STEEL X5 CrNiS 1809 UNI 6900/71
16	MECHANICAL SEAL	CARBON/GRAPHITE
28	OR RING	EPDM RUBBER

* In contact with the liquid



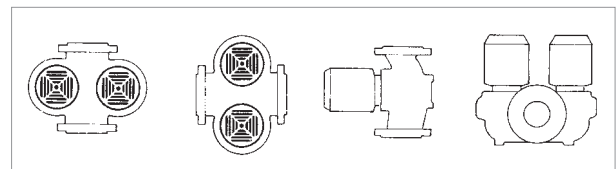
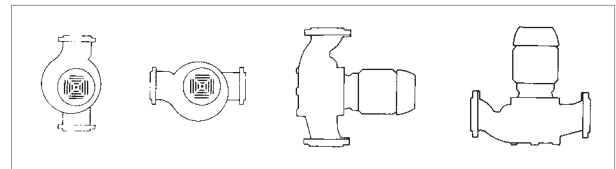
- Denomination index:

(example)



Installation: horizontal or vertical position, provided that the motor is always above the pump.

Vertical installation only for powers exceeding 7,5 kW.



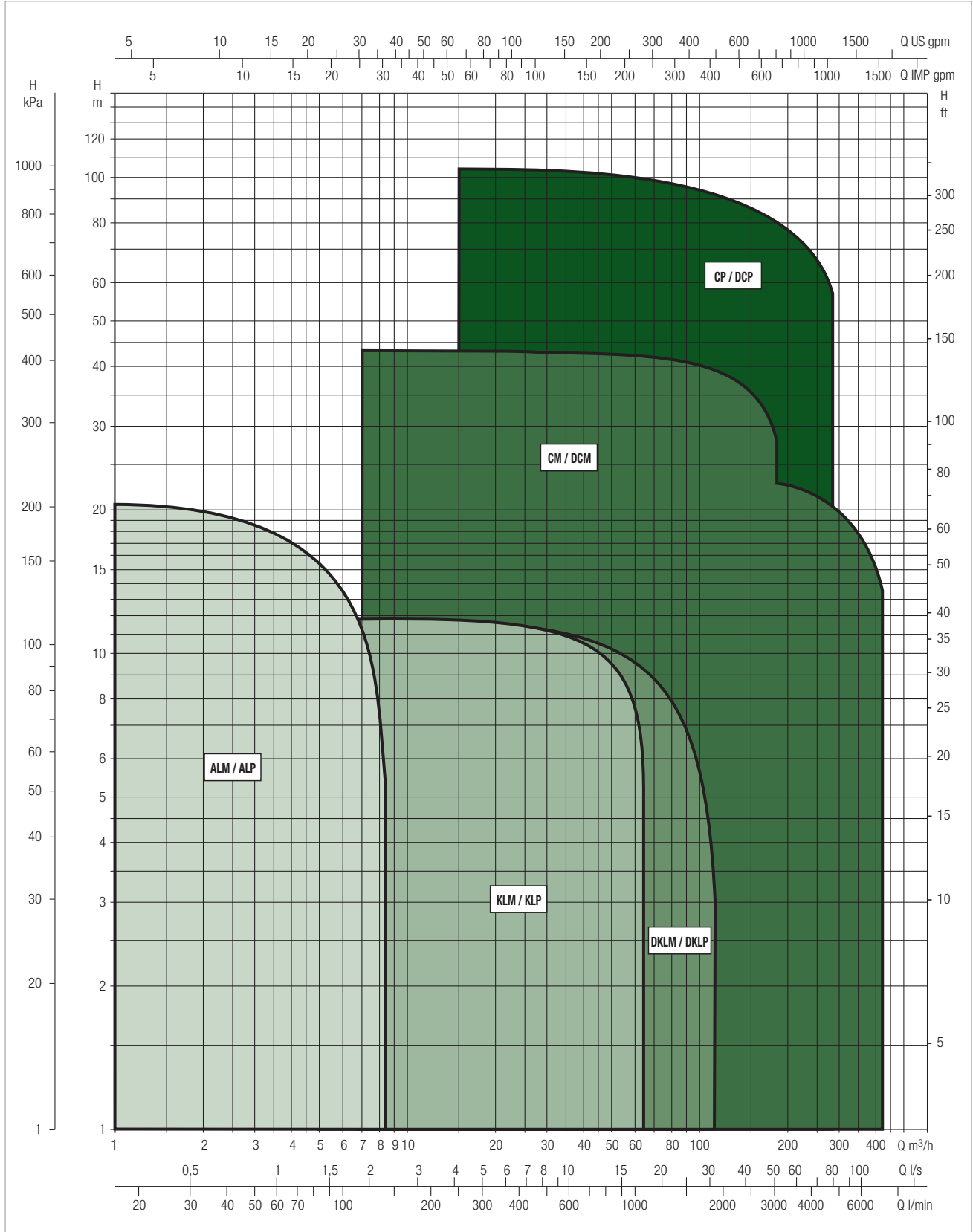
ELECTRIC IN-LINE PUMPS

IN-LINE ELECTRIC PUMPS FOR CIRCULATION SYSTEMS

PERFORMANCE RANGE

The performance curves are based on kinematic viscosity values = 1 mm²/s and density equal to 1000 kg/m³. Curve tolerance according to ISO 9906.

GRAPHIC SELECTION TABLE



CP / CP-G / DCP / DCP-G

ELECTRIC IN-LINE PUMPS

SELECTION TABLE - DPC - 2 POLES

MODEL	Q=m ³ /h	6	7,5	9	10,5	12	13,5	15	18	21	24	27	30	36	42	48	54	60	75	90	105	120	135		
	Q=l/min	100	125	150	175	200	225	250	300	400	450	500	600	700	800	800	900	1000	1250	1500	1750	2000	2250		
DCP 40/1250 T	H (m)	12,5	11,5	10,5	9,5	8,1	6,8	5,2																	
DCP 40/1650 T		16,5	15,5	14,5	13,5	12,3	11	9,5	6																
DCP 40/2050 T		20,5	20	19	18	17	16	15	11,5	7,5															
DCP 40/2450 T		24,5	24	23,5	23	22	21	20	16,5	13															

MODEL	Q=m ³ /h	6	7,5	9	10,5	12	13,5	15	18	21	24	27	30	36	42	48	54	60	75	90	105	120	135		
	Q=l/min	100	125	150	175	200	225	250	300	400	450	500	600	700	800	800	900	1000	1250	1500	1750	2000	2250		
DCP 50/1550 T	H (m)							15,5	15	14,1	13	11,8	10,5	7											
DCP 50/1900 T								19	18,5	17,5	16,5	15,5	14,5	10,5											
DCP 50/2450 T								24,5	24	23,5	23	22	20,5	17											
DCP 50/3000 T									30	29	28	26,5	25	23	18										
DCP 50/3650 T									36,5	35,5	34,5	33,5	32,5	31	27										

SELECTION TABLE - DPC-G - 2 POLES

MODEL	Q=m ³ /h	0	6	12	18	24	30	36	42	48	54	60	66	72	78	84	90	102	
	Q=l/min	0	100	200	300	400	500	600	700	800	900	1000	1100	1200	1300	1400	1500	1700	
DCP-G 65-1470/A/BAQE/1.5	H (m)	14,4	14,2	13,8	13,1	12,0	10,6	9,0	7,0	5,3									
DCP-G 65-1900/A/BAQE/2.2		18,6	18,3	17,8	16,9	15,7	14,2	12,5	10,5	8,3									
DCP-G 65-2280/A/BAQE/3		22,3			21,1	19,9	18,4	16,8	14,7	12,5	10,2								
DCP-G 65-2640/A/BAQE/4		25,9			24,6	23,7	22,2	20,7	18,8	16,4	14,0	11,4							
DCP-G 65-3400/A/BAQE/5.5		33,3			32,5	31,4	29,7	27,4	25,0	21,7	18,2								
DCP-G 65-4100/A/BAQE/7.5		40,2			39,6	39,0	37,4	35,7	33,4	30,7	27,5	23,9	20,1						
DCP-G 65-4700/A/BAQE/11		46,4					44,3	43,6	42,6	41,3	39,6	38,1	35,9	33,6	31,3				
DCP-G 65-5500/A/BAQE/15		54,3					54,7	53,9	52,1	51,2	49,4	48,0	45,6	43,7	41,3	38,4	36,1		
DCP-G 65-6150/A/BAQE/18.5		60,8					60,7	60,4	59,7	58,4	56,5	55,2	53,3	51,4	49,0	46,7	43,8	37,8	
DCP-G 65-7350/A/BAQE/22		72,6					73,4	72,6	71,6	70,9	68,0	65,1	63,2	60,7	57,8	54,9	51,5	43,1	
DCP-G 65-9250/A/BAQE/30		91,4						92,0	91,6	91,2	89,7	87,2	85,0	82,5	80,0	76,8	74,6	70,5	63,3